

---

# Yale UX Series

Electric Walkie Stacker

MSL15WUX / 1500kg



[www.yale.com.au](http://www.yale.com.au)

**Yale**<sup>®</sup>   
People. Products. Productivity.™

► **Overview**

# MSL15WUX

The Yale® electric walkie stacker MSL15WUX is designed with productivity and flexibility in mind for the operator. It combines operator friendly controls for easy manoeuvrability, with added technology features to help users maximise their time.

► **Productivity**

- Maintenance free AC motors
- Multi-function display with BDI and hour meter
- Handle equipped with emergency reversing button
- Auto deceleration function
- Low speed switch
- Variable speed control
- Sideways battery removal with rollers
- Mast cushioning for low-noise operation
- Built-in pressure relief valve protects from overloads
- Emergency power disconnect switch
- 240Ah traction battery
- Cold storage configuration (option)
- Narrow leg option for Australian market

► **Optimum Structural Design**

- Low centre of gravity enhances stability
- Full free lift mast options for low overhead clearance
- Durable plastic covers
- Adjustable balance caster wheel improves stability

► **Serviceability**

- Low voltage protection setting extends the battery life
- CANbus technology
- Simple electronic components makes troubleshooting and servicing more efficient
- Hall effect sensors reduce wear and increase component life



**Handle (Standard)**  
(Left & Right Handed)



**Adjustable Straddle Legs**



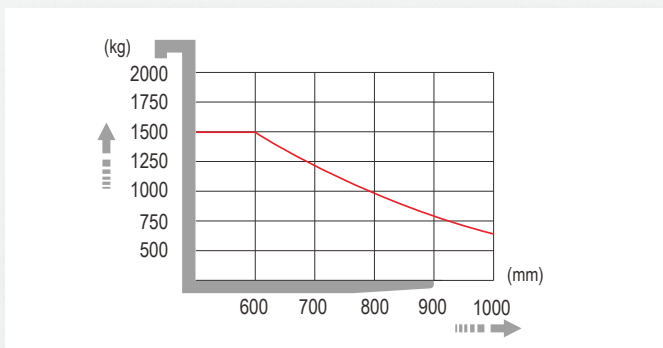
**One Sided**  
(Cold Store)



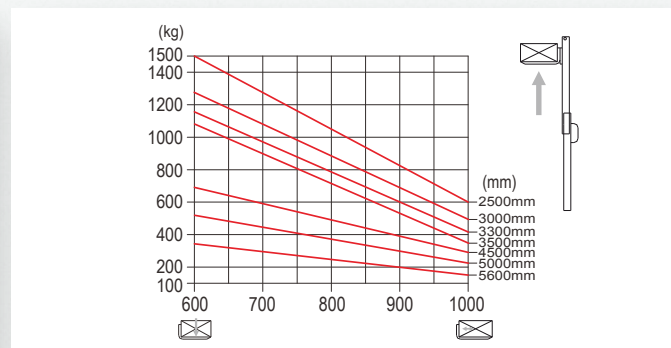
**Two Sided**  
(Cold Store)

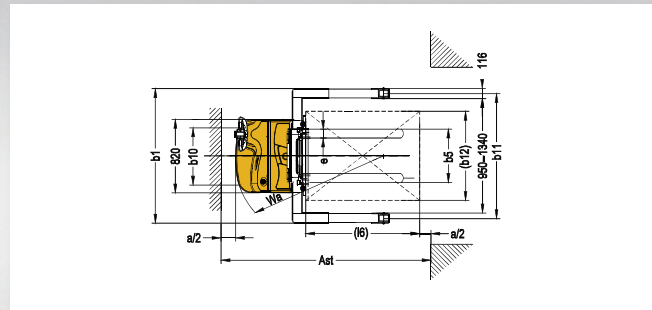
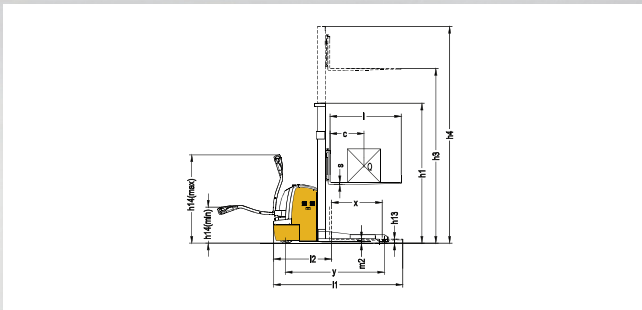
## Load Charts

► **Load Centre Chart**



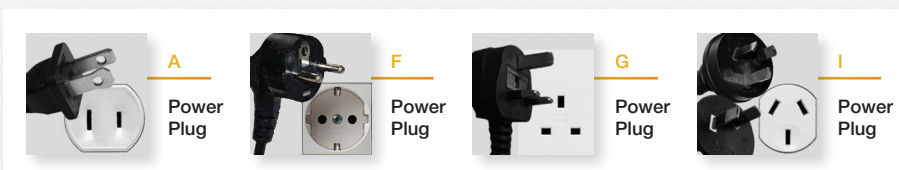
► **Load Capacity Chart**





Model	Measurement	MSL15WUX							
Load capacity	Q (kg)	1500							
Load centre distance	c (mm)	600							
Load distance, centre of drive axle to fork	x (mm)	697							
Fork height, lowered	h13 (mm)	70							
Wheelbase	y (mm)	1420							
Axle loading, laden front/rear	kg	1440/1280							
Axle loading, unladen front/rear	kg	870/350							
Tyres		polyurethane							
Tyre size, front	mm	250x70							
Tyre size, rear	mm	80x84							
Additional wheels (dimensions)	mm	150x60							
Wheels, number front rear (x=driven wheels)		1x+1/4							
Tread, front	b10 (mm)	520							
Tread, rear	b11 (mm)	1040-1430							
Mast height lowered	h1 (mm)	1805	2055	2205	2305	2120	2280	2480	
Free lift	h2 (mm)	1300	1550	1700	1800	1570	1740	1940	
Max. lift height	h3 (mm)	2500	3000	3300	3500	4500	5000	5600	
Mast height extended	h4 (mm)	3025	3525	3825	4025	5080	5560	6160	
Height of tiller in drive position min./max.	h14 (mm)	670/1300							
Overall length	l1 (mm)	1980							
Length to face of forks	l2 (mm)	915							
Overall width	b1 (mm)	1170-1560							
Fork dimensions	s/e/l (mm)	40/100/1070 (1150)							
Width overall forks	b5 (mm)	200-800							
Ground clearance, centre of wheelbase	m2 (mm)	35							
Aisle width for pallets 1000x1200 crossways	Ast (mm)	2480							
Aisle width for pallets 800x1200 lengthways	Ast (mm)	2465							
Turning radius	Wa (mm)	1610							
Drive motor power	kW	1.2							
Lift motor power	kW	3.0							
Sound level at the driver's ear according to DIN12503	dB (A)	70							
Travel speed, laden/unladen	Km/h	5.8/6							
Lift speed, laden/unladen	m/s	0.11/0.15							
Lowering speed, laden/unladen	m/s	0.12/0.12							
Max. gradeability, laden/unladen	%	8/15							
Service brake		Electromagnetic							
Battery voltage, nominal capacity K5	V/Ah	24/240							
Battery weight	kg	240							
Battery dimensions l/w/h	mm	675x254x500							
Service weight (without battery)	kg	1180/1205/1220/1230/1280/1300/1320							

▶ MSL15WUX Power Plug Type



# Yale® Dealers



Contact your nearest  
Yale® Dealership by visiting  
[www.yale.com.au](http://www.yale.com.au)

Contact your local Yale® Dealer

#### Yale Pacific

1 Bullecourt Avenue, Milperra NSW, Australia 2214  
Tel: +61 (2) 9795 3800 | Fax: +61 (2) 9792 8484  
[yale.com/pacific/en-au](http://yale.com/pacific/en-au)

#### Yale Asia

16 Tuas Avenue 20, Singapore 638827  
Tel: +65 6863 3387 | Fax: +65 6863 3349  
[yale.com/asia/en-sg](http://yale.com/asia/en-sg)

Yale, and PEOPLE. PRODUCTS. PRODUCTIVITY are trademarks of Hyster-Yale Group, Inc.  
® is a registered copyright of Hyster-Yale Group, Inc.

©Yale Asia Pacific 2020. All rights reserved. Specifications and details in this brochure are subject to change without prior notification.

[www.yale.com.au](http://www.yale.com.au)



Manufactured in our own ISO 9001 and 14001 Registered Facilities

Trucks may be shown with optional equipment.

**Yale®**   
People. Products. Productivity.™

BR0000075 REV 02/20