

MLT-X735

TECHNICAL DATA SHEET



Riverina Lift Trucks
www.rlt.com.au



www.manitou.com

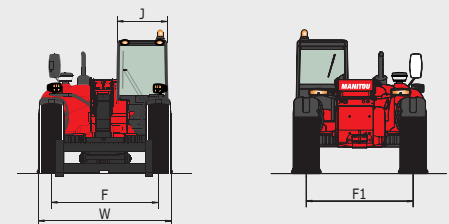
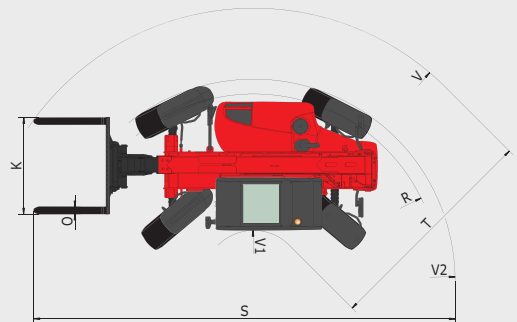
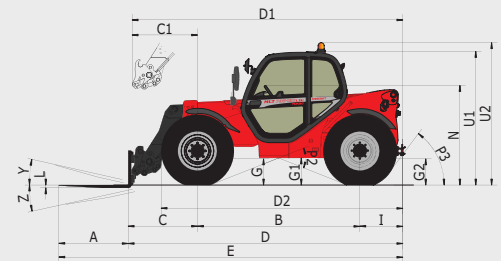
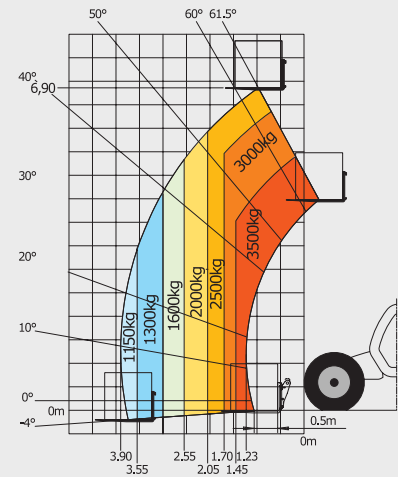
MLT-X735

	MLT-X 735 TLSU	MLT-X 735-120 LSU
	Lifting capacity at 500 mm from fork heels	
	3500 kg	
	Break-out force	3600 daN / 3700 daN
	Lifting height	
6.90 m		
	Time: laden/unladen (in sec)	
	Lifting	7.30/7.50 / 6.70/7.30
	Lowering	5.60/5.60 / 4.80/4.60
	Extension	8.20/8.30 / 7.10/7.30
	Retraction	6.60/6.80 / 5.70/5.50
	Crowd	3.20 / 2.00
	Dump	2.70 / 2.30
	Tyres	
460/70 R24		
	Forks (mm)	
	Length x width x thickness	1200 x 125 x 45
Carriage rotation		146°
	Braking	
multiple-disk brake with oil bath on front and rear axles		
	PERKINS STAGE III A engine	
		1104D-44TA / 1104E-44TA
	Cubic capacity	4 cyl. Turbo/4400 cm³
	Power at 2200 rpm (ISO/TR 14396)	101 HP/74.5 kW / 124 HP/91 kW
	Max. torque at 1400 rpm (ISO/TR 14396)	410 Nm / 490 Nm
	Injection	direct
Cooling		water
	Transmission	
	torque converter	
	Gearbox	Powershuttle
	Number of gears (forward/reverse)	4/4
Max. travel speed		35 kph*
	Hydraulics	
		110 l/min - 270 bar / 150 l/min - 270 bar
	Piston pump	variable cubic capacity / electronically controlled variable cubic capacity
Control valve		DDIC
	Capacities	
	Hydraulic oil	135 l
Fuel		120 l
	Unladen weight (with forks)	
	7075 kg / 7100 kg	
	Width overall	
	2.40 m	
	Height overall	
	2.30 m	
	Length overall	
	4.87 m	
	Turning radius (outer wheels)	
	3.77 m	
	Ground clearance	
0.44 m		
Drawbar pull		
up to 8770 daN		
Noise at driving position (LpA)		
79 dB		
Environmental noise (LwA)		
106 dB		
Vibration to whole hand/arm		
< 2.5 m/s²		

mm	D2 4165	I 789	P3 53°	V1 1310
A 1200	E 5990.4	J 980	R 3685	V2 3918.5
B 2810	F 1935	K 1260	S 7714.9	W 2402
C 1191.4	F1 1935	L 45	T 3575	Y 12.5°
C1 1287	G 450	N 1715	U1 2295	Z 133.7°
D 4790.4	G1 435	O 125	U2 2545	
D1 4886	G2 435	P2 38°	V 4885	

Maximum height reach: 1.03 m

As per standard EN 1459 annex B



This brochure describes versions and configuration options for Manitou products which may be fitted with different equipment. The equipment described in this brochure may be standard, optional or not available depending on version. Manitou reserves the right to change the specifications shown and described at any time and without prior warning. The manufacturer is not liable for the specifications given. For more information, contact your Manitou dealer. Non-contractual document. Product descriptions may differ from actual products. List of specifications is not comprehensive. The logos and visual identity of the company are the property of Manitou and may not be used without authorisation. All rights reserved. The photos and diagrams contained in this brochure are provided for information only.

MANITOU BF SA - Limited company with board of directors - Share capital: 39,547,824 euros - 857 802 508 RCS Nantes

